

A New Model: Poseidon 1250

Measures temperature and other environment sensors via Ethernet

Poseidon 1250 is a device capable of sending e-mail when the sensor's temperature goes out of the pre-defined range or when the contact of a connected relay closes. Apart from e-mail and the WWW graphical interface, also several M2M protocols are supported (SNMP, XML, Modbus/TCP etc.)

Poseidon can be integrated into NMS (Network Monitoring System), or used with the delivered PN Eye software, which simply alerts of a critical situation by sending an SMS message. As an alarm response, this software can close a relay (via network) that controls e.g. light signalling or alarm horn.



CeBIT 2006: Hall 016 E02/2 - March 9, 2006

The company HW group s.r.o, a network devices producer from Central Europe, launches a new model of the Poseidon unit for environment monitoring. The 1250 model extends capabilities of the previous Poseidon 1140 model. The units are designed for connecting sensors of temperature, humidity, airflow, door closing or motion.

An improvement of this model are more user-friendly functions controlled over the Flash Setup graphical interface. Alarm notification via e-mail is a new feature. Thus, the producer is mainly trying to address customers in small applications who do not use large SNMP-based NMS systems.

For common working with one device, it is possible to use the delivered PN Eye software, which is available for the whole Poseidon Family free of charge. For larger systems, we offer a professional software distributed by HW group in cooperation with its authors - test version is always free. Our customers especially like the portuguese "CapTemp" software. This was originally designed for bakeries, their stockhouses and similar technological processes related to the EU bureaucracy, which forces producers to change parameters during manufacturing and stocking processes.

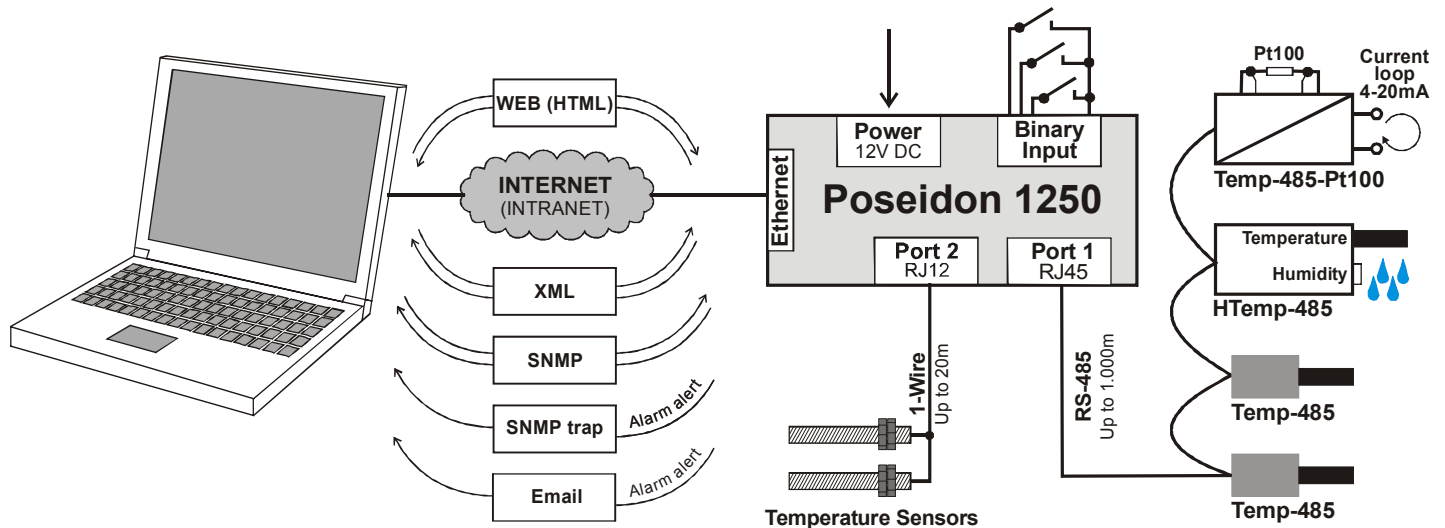
As for 19" RACKs, server rooms and technological units, a favourite software is the british "nmsDashboard", which enables visualization of all units and their sensors in the network.

For companies that want to connect the Poseidon units with their own software, detailed descriptions of standard interfaces as well as function libraries or examples of use are available.

Poseidon Family products are designed for use in industry and telecommunications. This reflects the construction of the particular sensors and three different buses where the sensors can be connected. Poseidon supports very cheap temperature sensors with range from -20°C to +85°C (up to 10 of these can be connected in 20m distance). For professional use, there are sensors with a platinum temperature sensor that are connected via RS-485 up to 1 000m distance. They measure with accuracy $\pm 0,2^{\circ}\text{C}$ on the range -55°C up to +640°C.

Motion sensors, inflammable gas detectors etc. can be connected owing to the binary inputs (marked as "Dry Contact Inputs"), to which you simply connect NC/NO contacts from the sensors' relays.

A frequently requested feature of Poseidon 1250 is that it supports two outputs for operating two relays. These relays can be operated via Ethernet, thus constructing e.g. a simple regulator. One of the outputs can be used to signal alarm state on any sensor. Therefore, it is possible to connect light signalling or alarm horn and so construct a local signalization of critical states, independent on the central controlling software.



About HW group s.r.o

HW group is a dynamic Central European company that has been developing and selling networking products since the year 2000. HW group specializes in concrete solutions for a narrow target group. We export more than 70% of our production outside the Czech republic, approximately 30% outside the EU.

Our typical products:

- **PortStore** – a buffer for call accounting data from Phone Branch Exchanges (PBX).
- **Poseidon family** – remote environment monitoring and value logging
- **Damocles family** – devices operating and control over network
- **IP WatchDog** – autonomous monitoring of the device's functions or network connectivity
- And more

Contacts and Downloads

You can find this press release in several language versions, as well as all the interrelated graphical materials on our web pages http://www.hw-group.com/press_en.html.

For further information (press only):

- *Jan Řehák* – Tel: +420 222 511 918, Email: Rehak@HWg.cz
- **CeBIT 2006: Hall 016, Stand E02/2**

For further information (business information):

- <http://www.HW-group.com> – Tel: +420 222 511 918, Email: Sales@HWg.cz
- **CeBIT 2006: Hall 016, Stand E02/2**